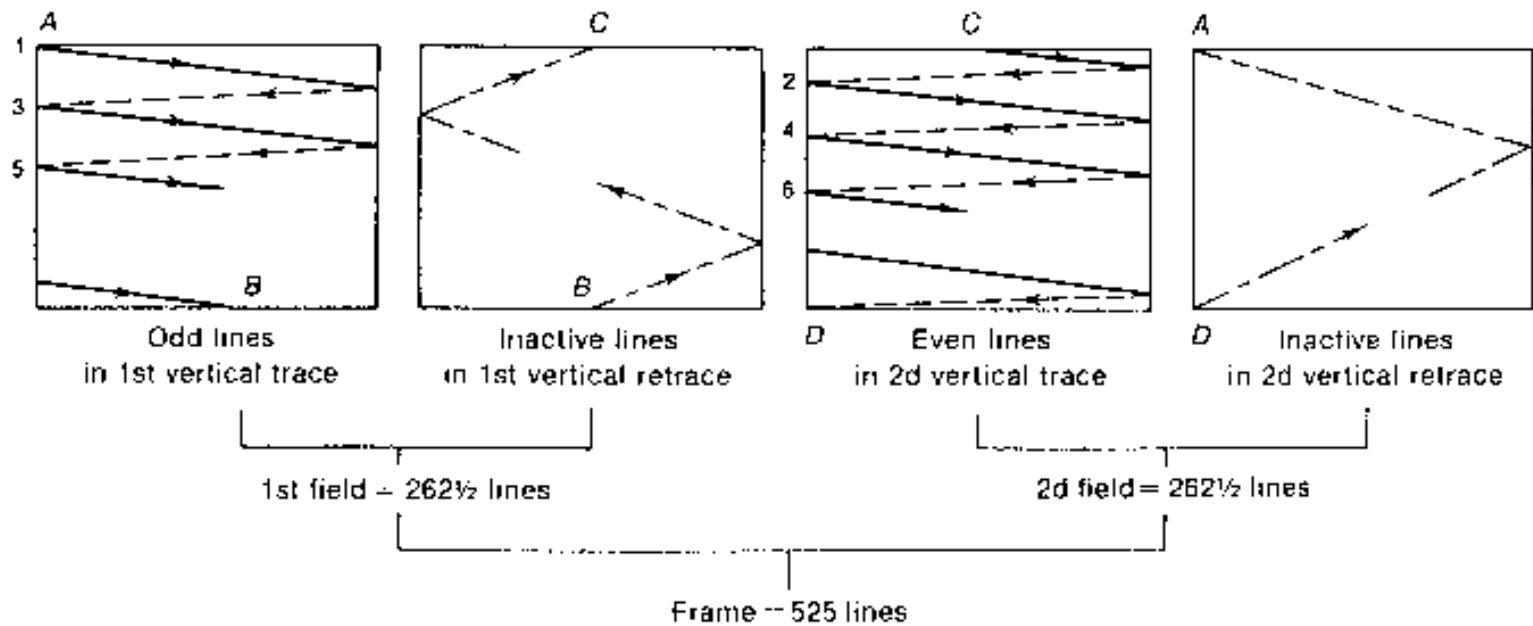
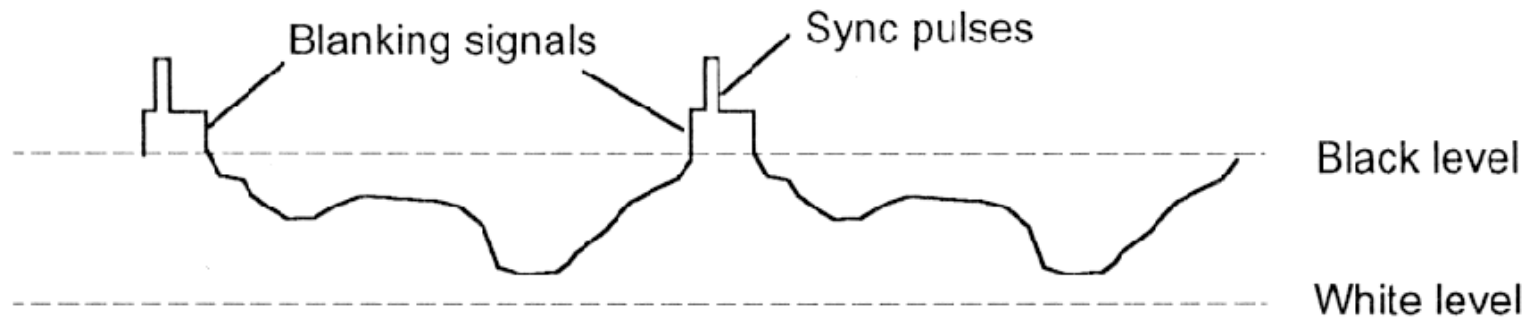


Digital television

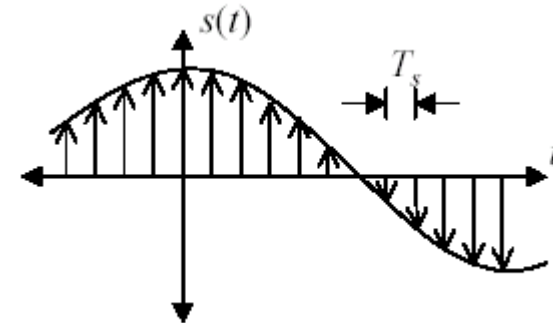
Video and Audio compressing

- * Motivation for compression
- * Overall structure
- * Fundamental blocks: DCT, Motion estimation,
Entropy coding
- * MPEG stream

Format of original analog signal



Sampling of analog signal



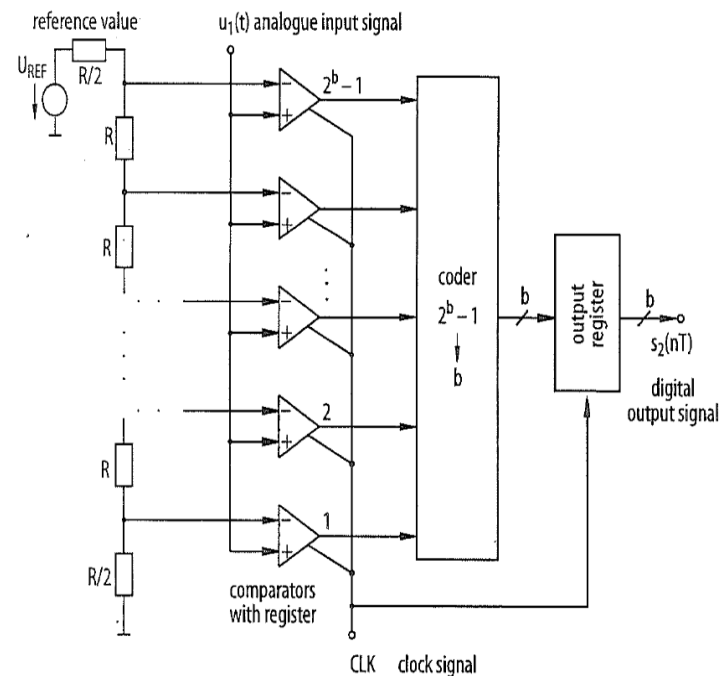
Standard sampling

$$s[k] = s(kT_s)$$

$$k \in \{ 0, 1, 2, 3, \dots \}$$

$$1/f_s = T_s \text{ sampling interval}$$

$$\text{Nyquist rate } 2f_{max}$$



*Table source: U.Reimers: Digital Video Broadcasting

Digital TV: Sampling

Sampling of video signal (composite video):

Normally "4fsc" 4 * colorsubcarrier frequency

e.g. -> 14.318 MHz at 12 bits = 171 Mbit/s

Sampling components (Y / Cb / Cr):

Normally 13.5 MHz luminance frequency

At 4:2:2 sampling totally 27 MHz, 8 bit ->



PAL TV



216 Mbps

Available: 5 Mbit/s

Compression "40:1"



HDTV TV



1 Gbps

Table 2.3. Digitisation characteristics and data rates of video signals with irrelevance reduction

Signals	Clock [MHz]	Values/ [line]	Lines	H_o [Mbit/s]	H_{oTotal} [Mbit/s]	Format
R	13.5	864	625	108		4 : 4 : 4
G	13.5	864	625	108		ITU 601
B	13.5	864	625	108	324	
Y	13.5	864	625	108		4 : 2 : 2
C_B	6.75	432	625	54		ITU 601
C_R	6.75	432	625	54	216	
Y	13.5	720	576	83		4 : 2 : 2
C_B	6.75	360	576	41.5		only active image
C_R	6.75	360	576	41.5	166	
Y	13.5	720	576	83		4 : 2 : 0
$C_B C_R$	6.75	360	576	41.5	124.5	only active image
Y	6.75	360	288	20.7		4 : 2 : 0, SIF
$C_B C_R$	3.375	180	288	10.4	31.1	only active image

*Table source: U.Reimers: Digital Video Broadcasting

MPEG: History

JPEG – during the 80s

MPEG started in 1988

H.120 – 2Mbit/s – DCPM - videoconferencing

H.261, 1989, – 384 kbit/s-1Mbit/s – DCT - videoconferencing

MPEG-1 (ISO/IEC-11172), 1989-1996 – VHS quality at 1,5 Mbit/s

MPEG-2 (ISO/IEC-13818), 1991-2000 – video broadcasting

MPEG-4 (ISO/IEC-14496), 1995-2002 – objects, wavelets

MPEG-7 2002 – “content-based coding”

What is MPEG in general?

A MPEG have several parts; for instance MPEG-4:

- **Systems – Synchronizing and multiplexing of A / V**
- **Visual – Compression of visual objects**
- **Audio – Compression of audio**
- Conformance testing
- Delivery Multimedia Integration Framework
- Reference software
- MPEG-4 delivery over IP networks
- Reference hardware
- **Advanced Video Coding - ITU-T H.264 standard**
- Scene description / app engine
- ISO base media format
- Intellectual property handlign
- MP4 file format
- AVC file format
-

MPEG-1

- This standard is named after the ISO committee that created it. It has a bandwidth of about 188 KBps, and consists of three layers:
 - MPEG video, encoded at 138 KBps
 - MPEG system (responsible, among other things, for A/V sync), encoded at 34 KBps
 - MPEG audio, the Third Layer, hence MP3, encoded at 128 kilobits per second (16 KBps)

MPEG-2

Improvements for broadcasting

Possibility to perform parallel decoding

Compression of data in general

Lossless

decompressed stream
identical to original

Ex. Run-length encoding
Huffman-encoding
(ZIP, GIF)

Lossy

there is loss in data,
taking advt. of limits
of eye and ear

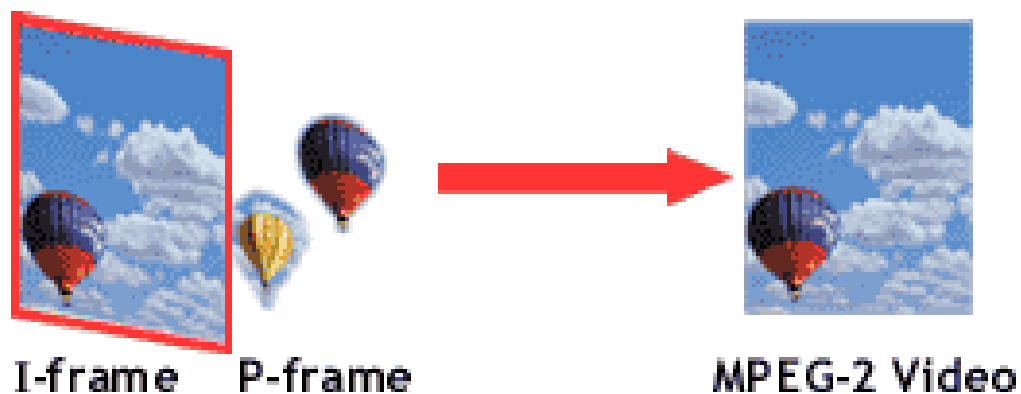
Ex. Interpolation,
subsampling, quantization
(YUV, Wavelets, Fractals)



Hybrid coding

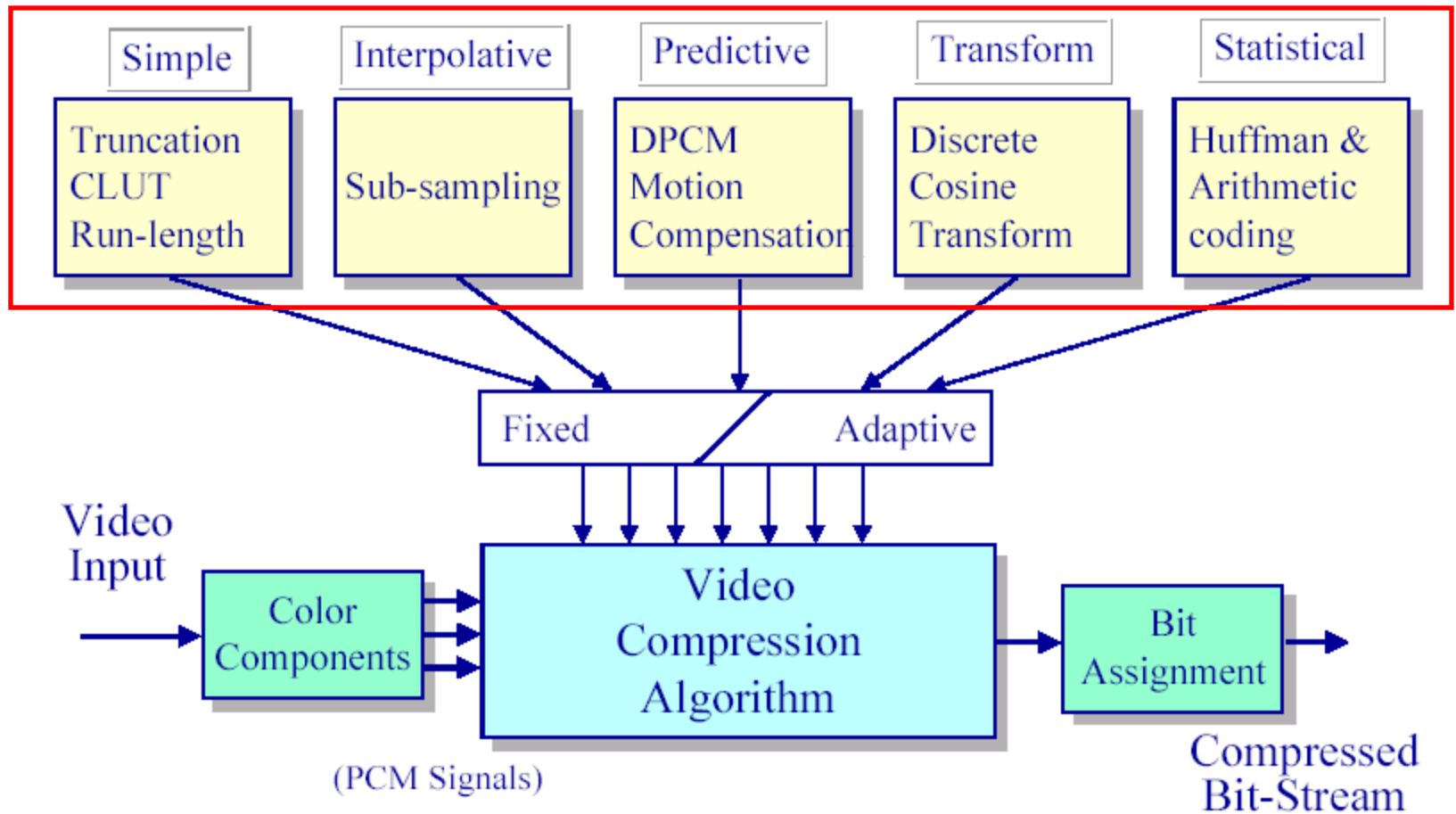
Combination of lossy / lossless etc.
Jpeg, Mpeg,
Last step entropy

MPEG compression techniques

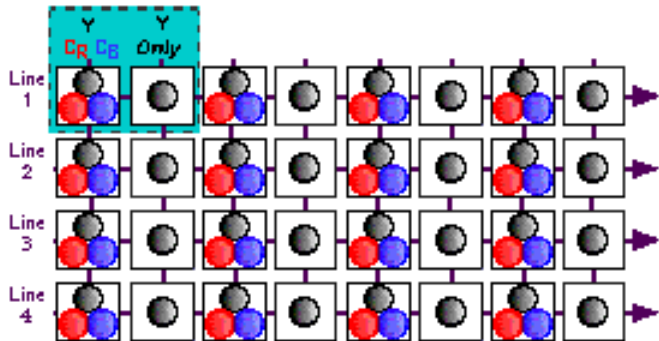


- Temporal, spatial redundancy
- Imperceptible details

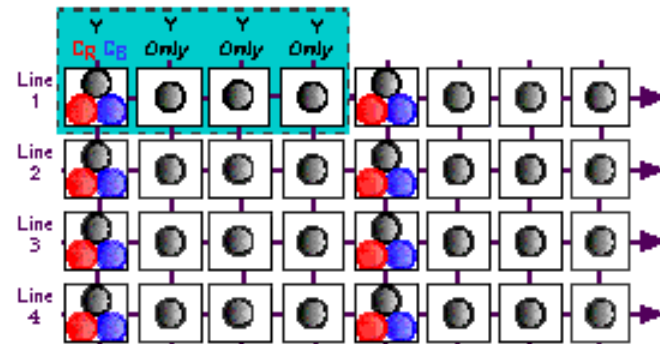
Video compression - methods



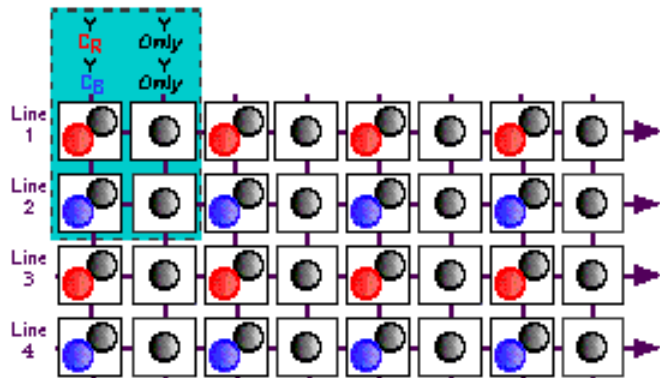
Video Sampling Formats



4:2:2 Sampling (Digital Betacam)
High profile MPEG-2



4:1:1 Sampling (NTSC DV)



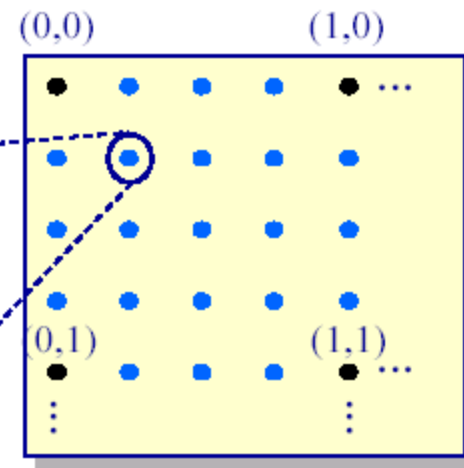
4:2:0 Co-sited (PAL DV)
Normal profile MPEG-2

Sample interpolation

Chrominance

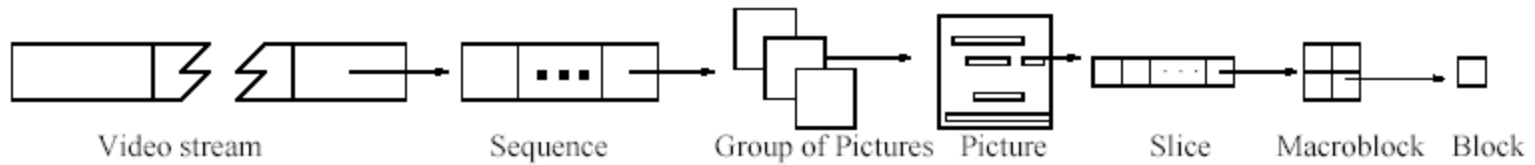
◆ Bi-linear interpolation:

$$U(1, 1) = U(0,0) \times 0.75 + U(1,0) \times 0.25 + U(0,1) \times 0.75 + U(1,1) \times 0.25$$

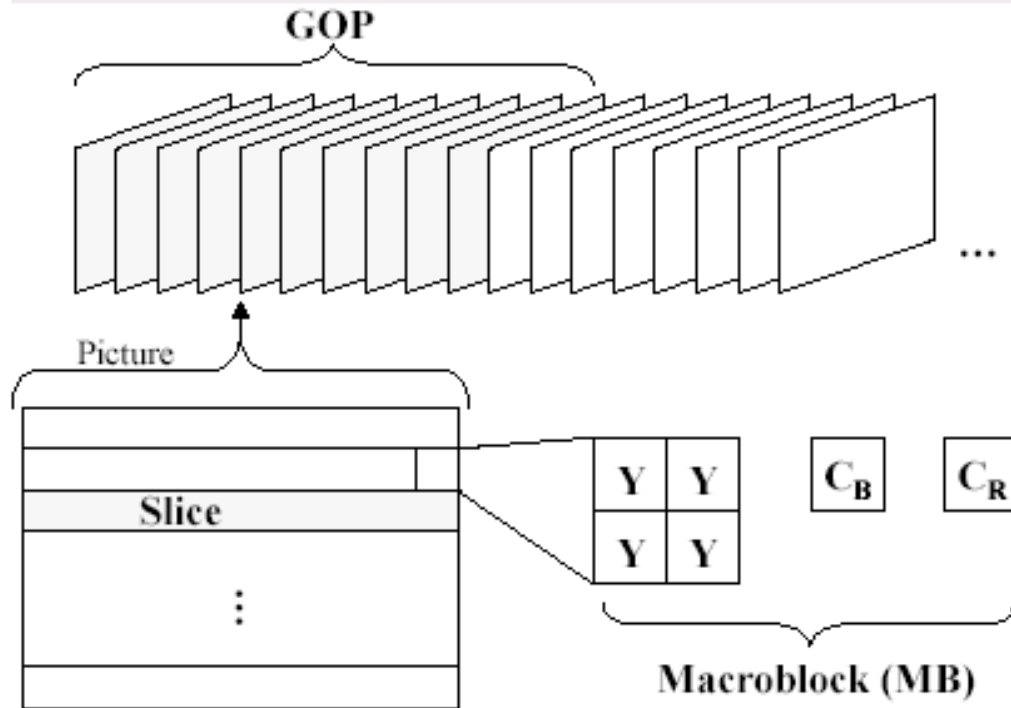


Sub-sampled
U or *V* component

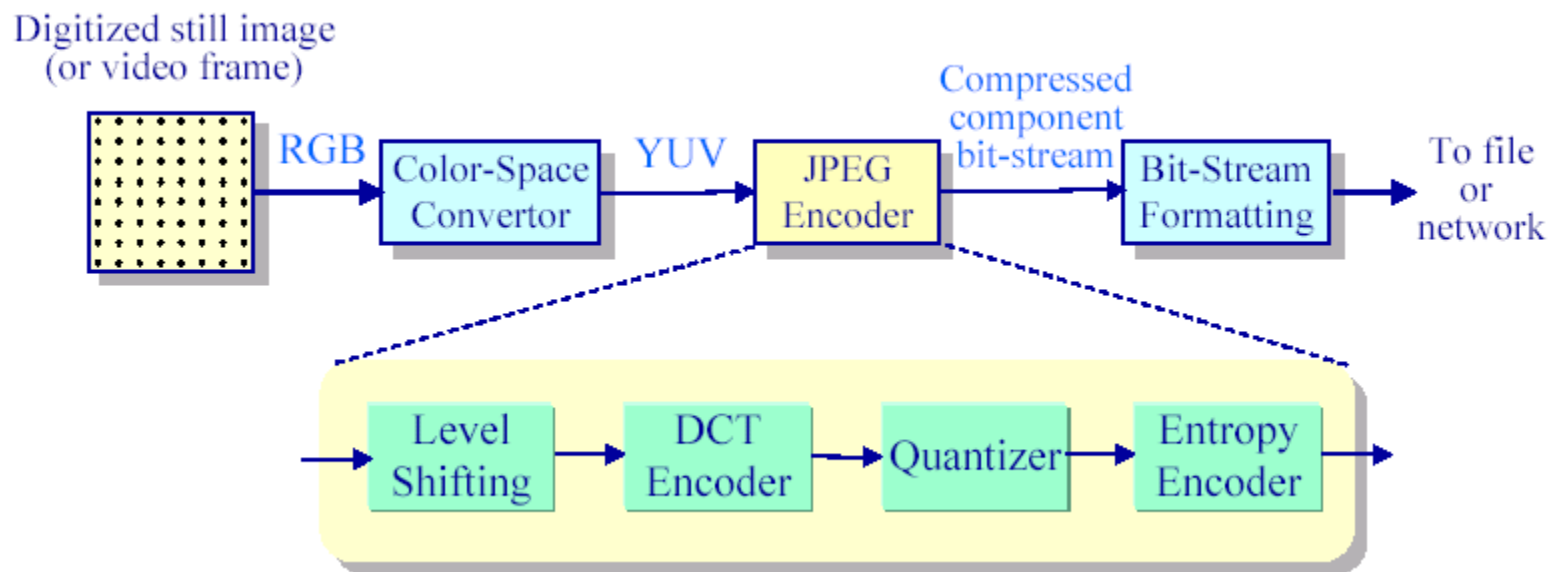
MPEG fundamental blocks



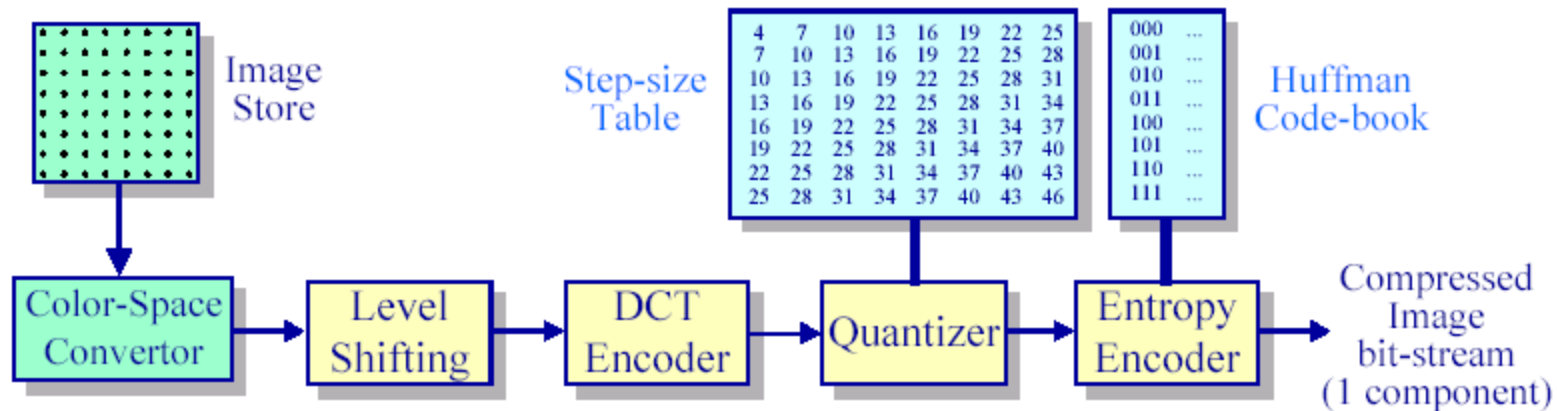
Slice and Macroblock



JPEG / Still coding



Intra-frame coding: Overall

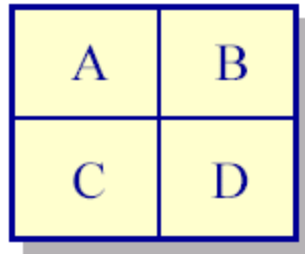


- ◆ Compression comes from:
 - » Chrominance subsampling
 - » DCT coefficient quantization
 - » Difference coding DC coefficients
 - » Statistical & run-length coding of AC coefficients

- ◆ Qualitative results:
 - » 0.25 - 0.5 bpp — ok for some applications
 - » 0.5 - 0.75 bpp — ok for many
 - » 0.75 - 1.5 bpp — excellent
 - » 1.5 - 2.0 — indistinguishable

Transformation based compression

2 x 2 array of pixels



1-D array of differences



Encode differences with less precision!!

Common transformations: Fourier, DCT, Wavelets
MPEG2 uses DCT

Discrete cosine transform

- ◆ The 1-dimensional transform:

$$F(\mu) = \frac{C(\mu)}{2} \sum_{x=1}^7 f(x) \cos \frac{(2x+1)\mu\pi}{16}$$

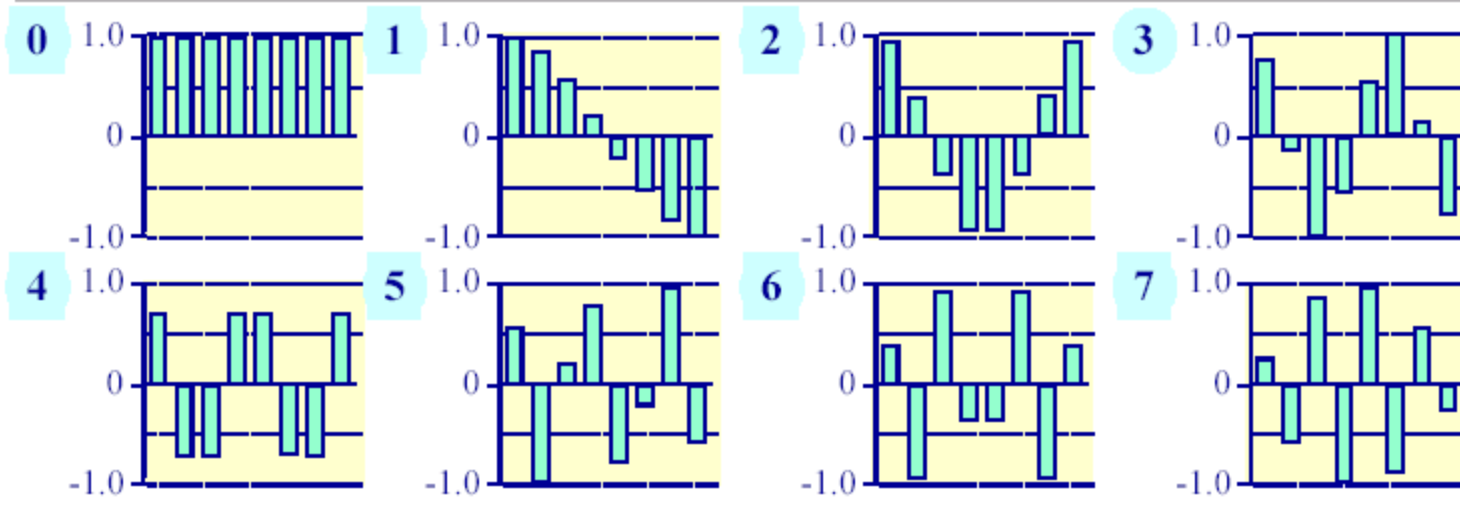
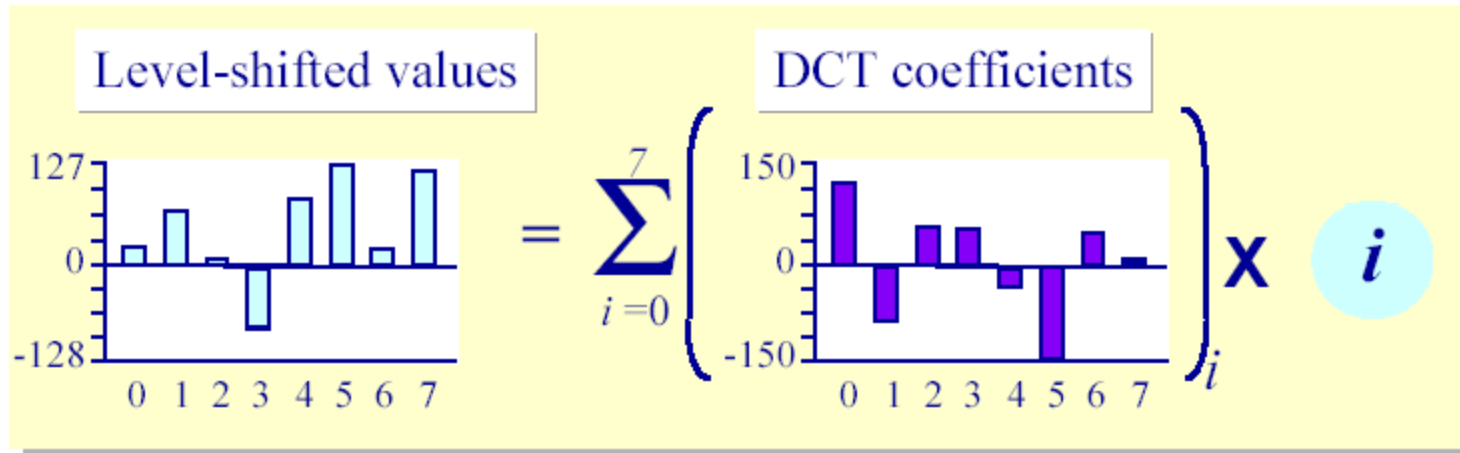
- » $F(\mu)$ is the DCT coefficient for $\mu = 0..7$
- » $f(x)$ is the x^{th} input sample for $x = 0..7$
- » $C(\mu)$ is a constant (equal to $2^{-0.5}$ if $\mu = 0$ and 1 otherwise)

- ◆ The 2-dimensional (spatial) transform:

$$F(\mu, \nu) = \frac{C(\mu)C(\nu)}{2} \sum_{y=1}^7 \sum_{x=1}^7 f(x,y) \cos \frac{(2x+1)\mu\pi}{16} \cos \frac{(2y+1)\nu\pi}{16}$$

Discrete cosine transform

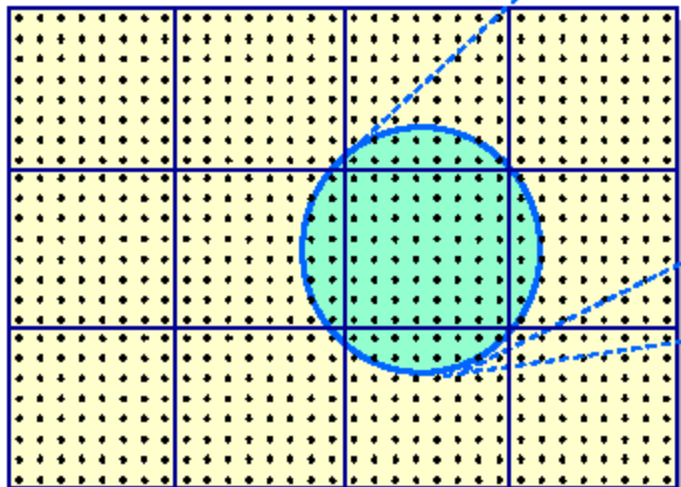
Represents input as sum of basic functions



DCT on frames

- ◆ Apply the DCT in x and y dimensions simultaneously to 8x8 pixel blocks
 - » Code coefficients individually with fewer bits

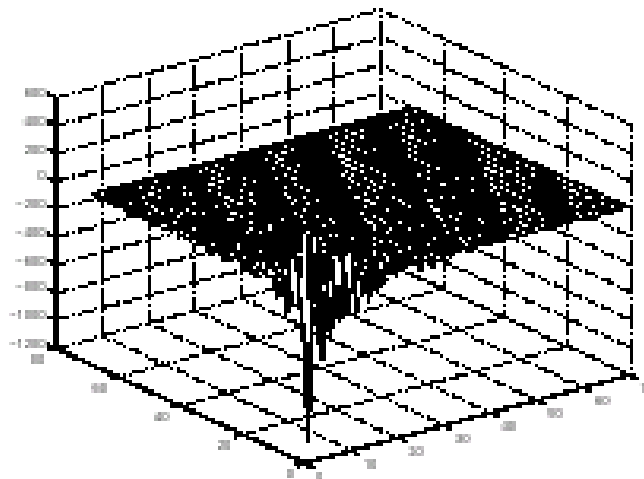
Video Frame



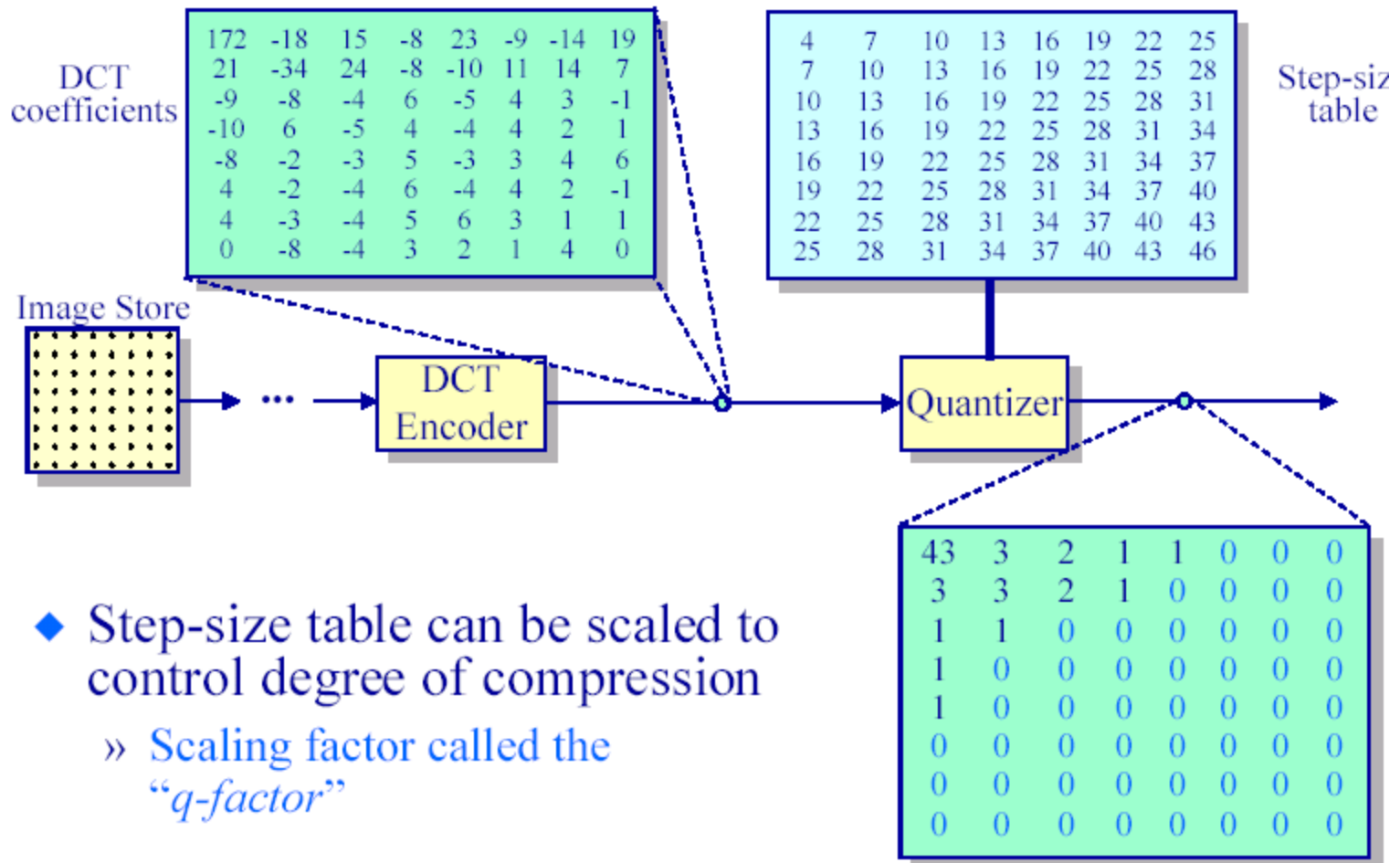
172	-18	15	-8	23	-9	-14	19
21	-34	24	-8	-10	11	14	7
-9	-8	-4	6	-5	4	3	-1
-10	6	-5	4	-4	4	2	1
-8	-2	-3	5	-3	3	4	6
4	-2	-4	6	-4	4	2	-1
4	-3	-4	5	6	3	1	1
0	-8	-4	3	2	1	4	0

DCT Coefficients

DCT on frames: Example



Quantization

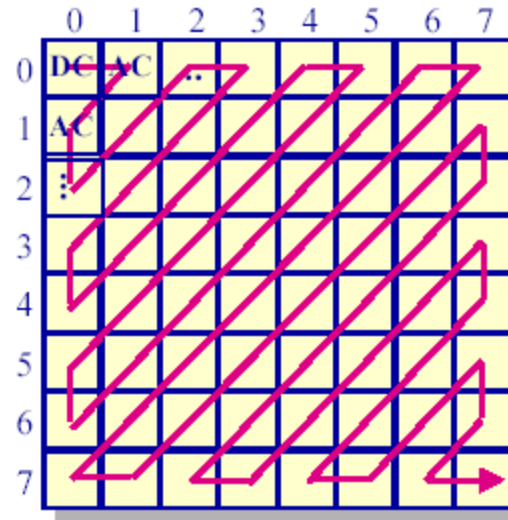


- ◆ Step-size table can be scaled to control degree of compression
 - » Scaling factor called the “*q-factor*”

* Variable in MPEG stream

Zig-zag walking

In order to increase effectiveness of run-length encoding



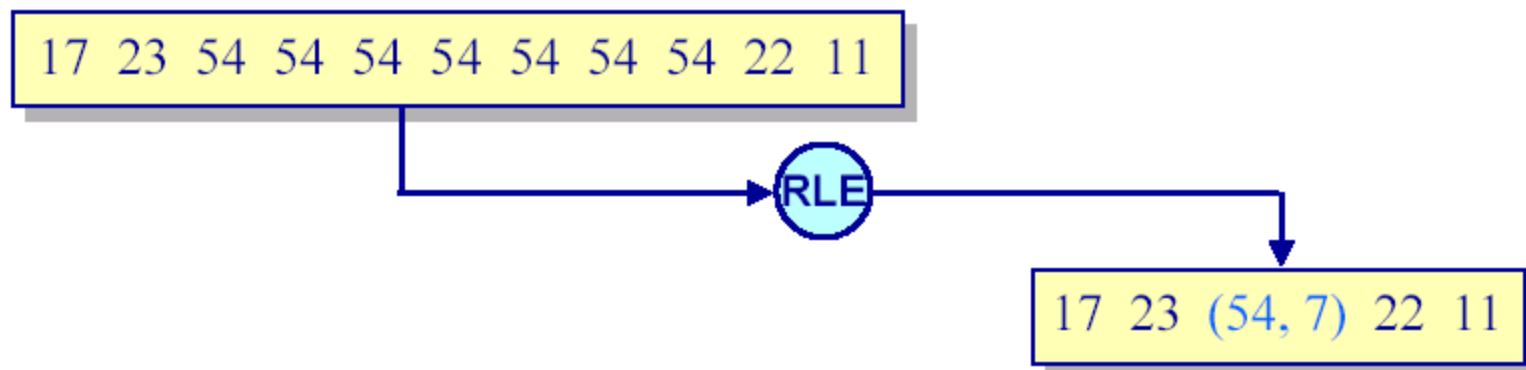
43	3	2	1	1	0	0	0
3	3	2	1	0	0	0	0
1	1	0	0	0	0	0	0
1	0	0	0	0	0	0	0
1	0	0	0	0	0	0	0
0	0	0	0	0	0	0	0
0	0	0	0	0	0	0	0
0	0	0	0	0	0	0	0

43,3,3,1,3,2,1,2,1,1,1,0,0,1,1,0,0,....

After RLE:

43, (3,2), 1, 3, 2, 1, 2, (1,3), (0,2), (1,2),(0,49)

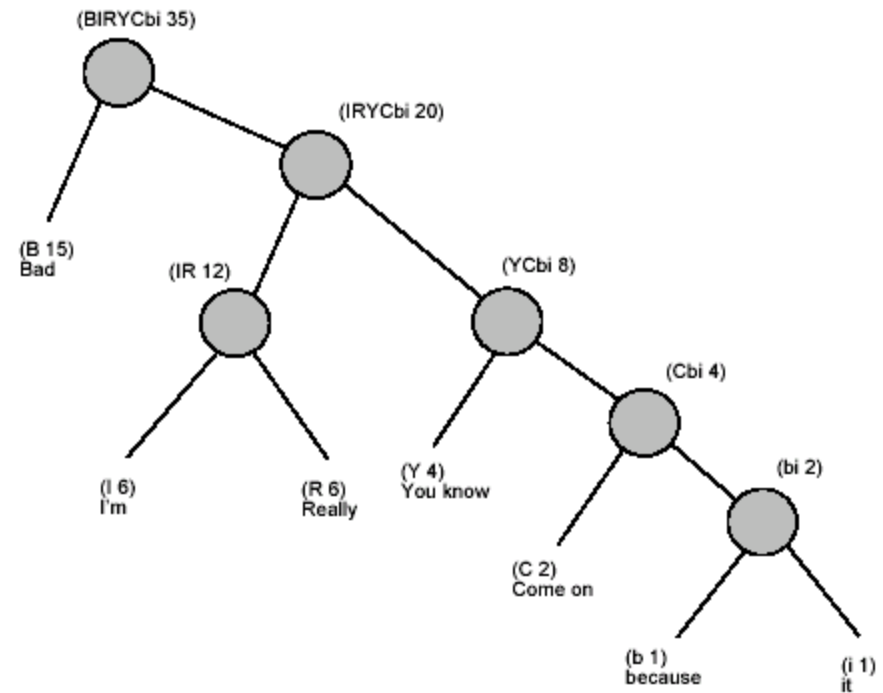
Run-length encoding



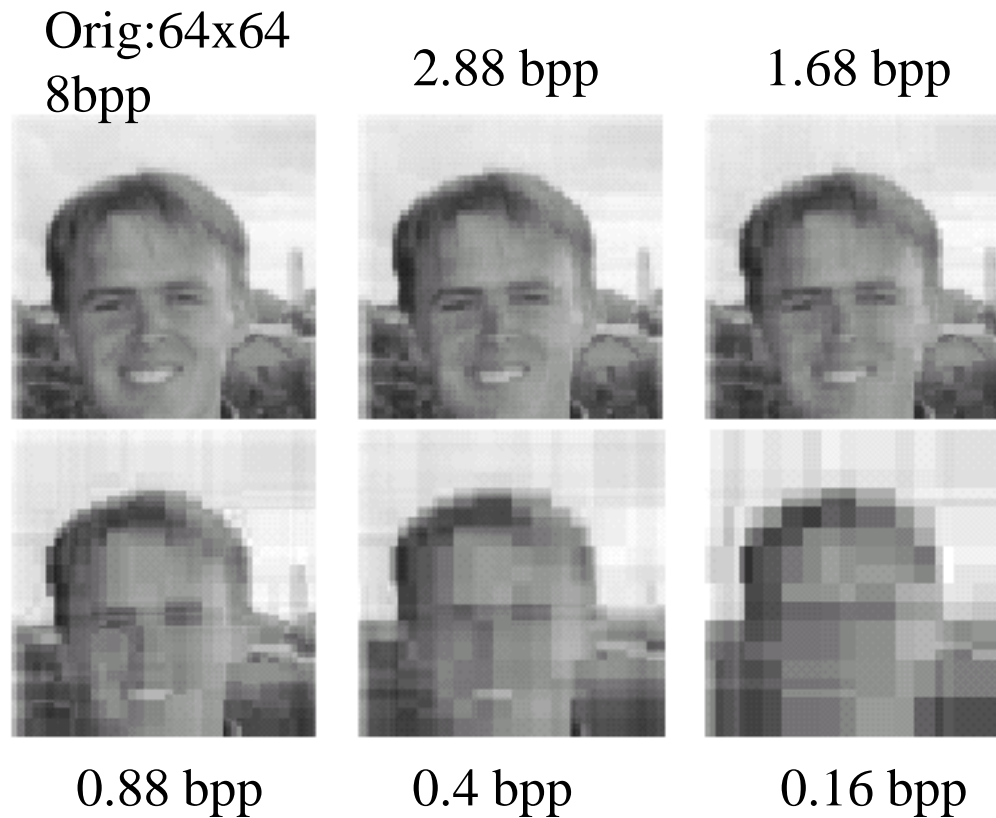
Huffman encoder - principles

Because I'm bad, I'm bad-- come on
 Bad, bad-- really, really bad
 You know I'm bad, I'm bad--
 you know it
 Bad, bad-- really, really bad
 You know I'm bad, I'm bad-- come on, you kn
 Bad, bad-- really, really bad

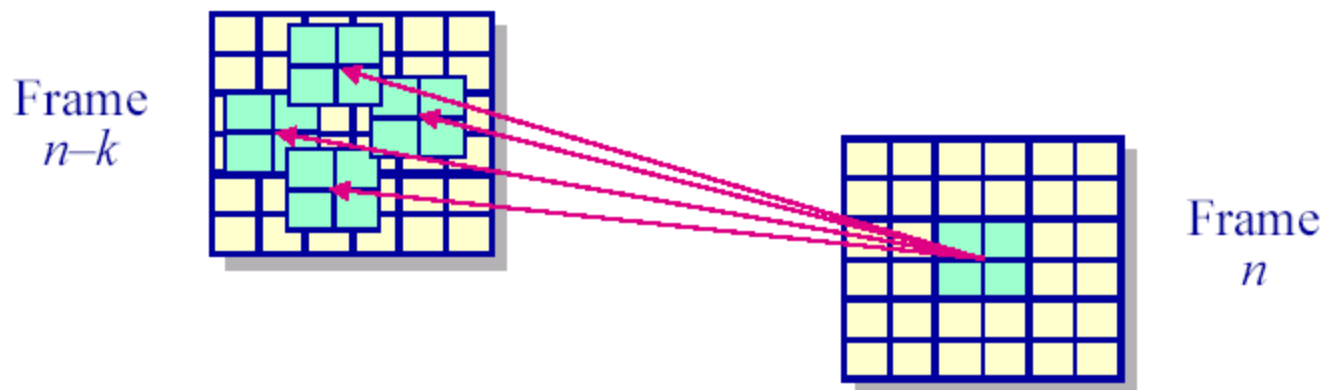
Phrase	Symbol	Frequency	Code Length	Code
Because	b	1	5	00001
I'm	I	6	3	011
Bad	B	15	1	1
Come on	C	2	4	0001
It	i	1	5	00000
Really	R	6	3	010
You know	Y	4	3	001



Transformation based compression: Wavelets



MPEG motion compensation

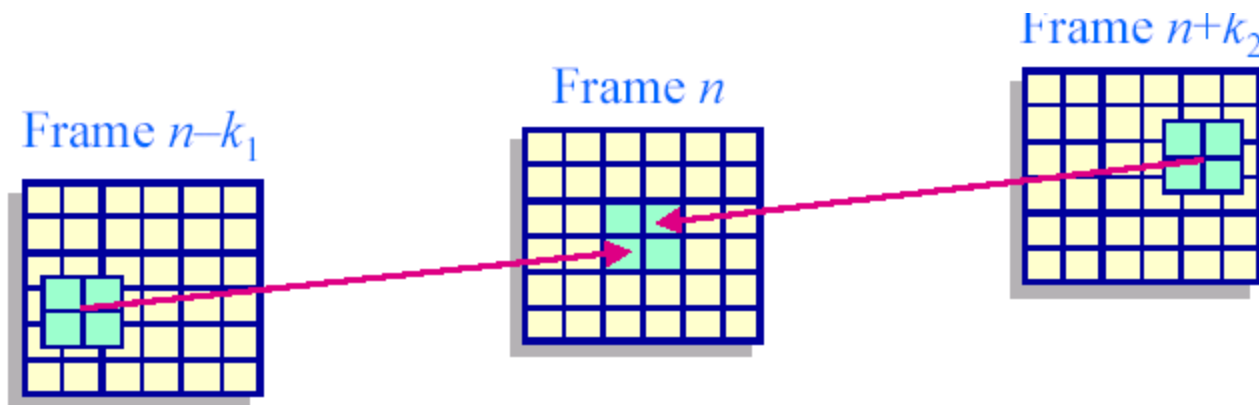


- Performed on macroblock (16x16 pixels)
- The prediction search space is not specified in the standard
- Objective: Find an motion vector w that minimizes some cost function, e.g.

$$\sum_{j=0}^{15} \sum_{i=0}^{15} f(\text{frame}_n[16b_x+i, 16b_y+j] - \text{frame}_{n-1}[16b_x+w_x+i, 16b_x+w_y+j])$$

MPEG motion compensation

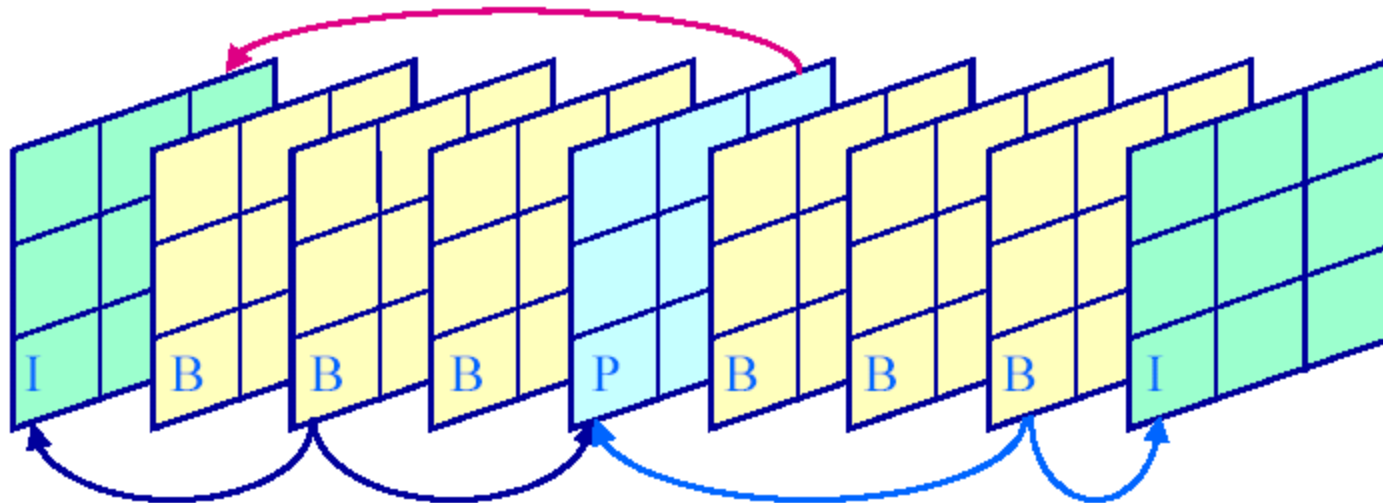
Bi-directional prediction



- Not only prediction, also interpolation
- Both past and future frames are used to predict the current frame

MPEG motion compensation

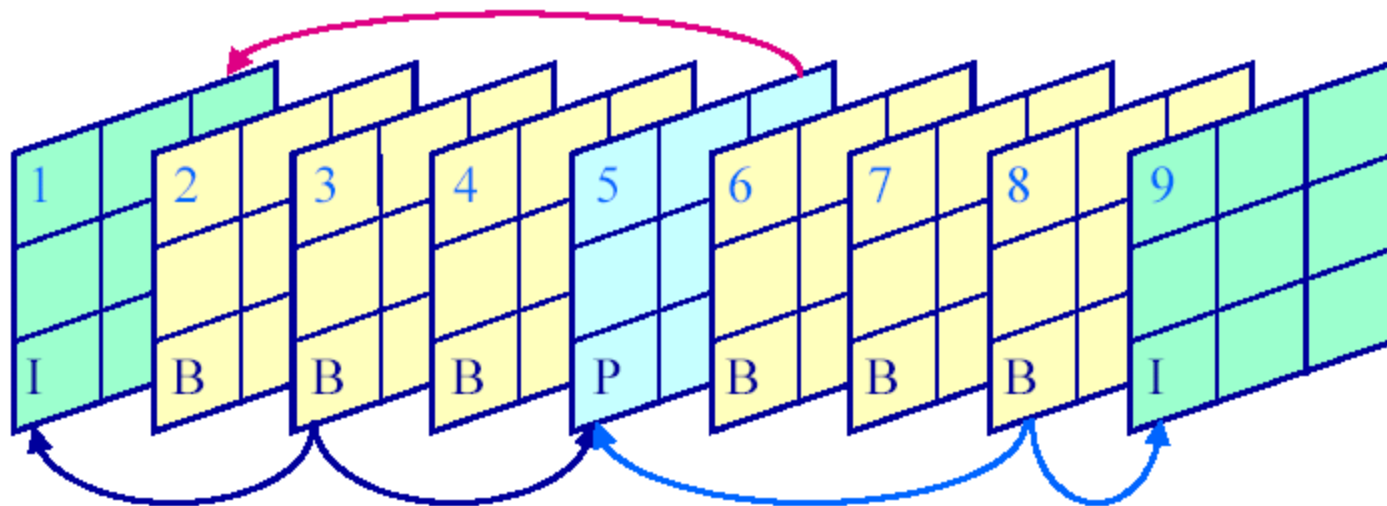
Bi-directional prediction



- 3 types of pictures in a MPEG stream
 - I – Intracoded pictures (still images)
 - P – Predicted pictures from previous I or P pictures
 - B – Bi-directionally pictures (interpolated pictures)

MPEG motion compensation

Bi-directional prediction

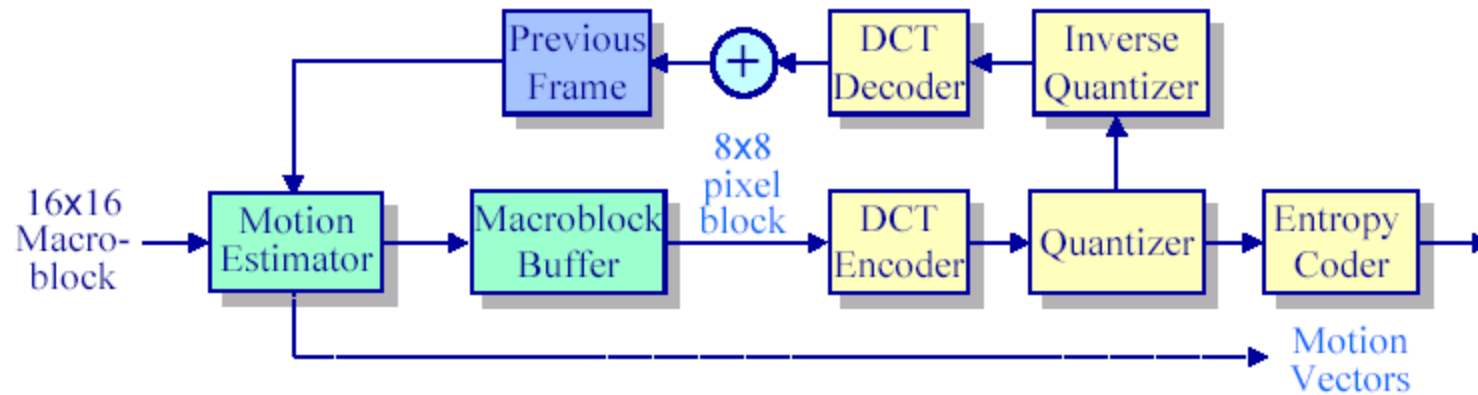


- ◆ Directional prediction implies that frames cannot be encoded or transmitted in the order they are scanned

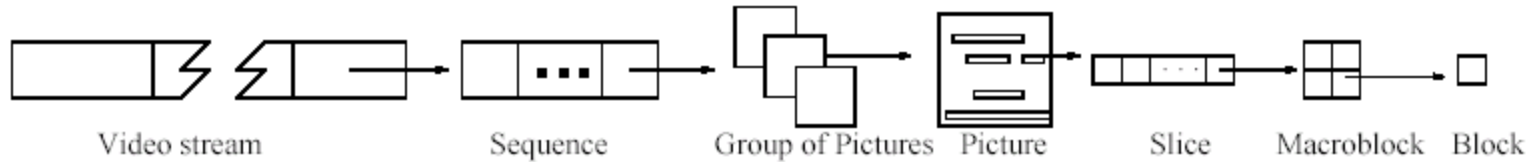
- ◆ Encoding & transmission order:

» $I_1 P_5 B_2 B_3 B_4 I_9 B_6 B_7 B_8 P_{13} B_{10} B_{11} B_{12} I_{17} B_{14} B_{15} B_{16} \dots$

Structure of MPEG encoding

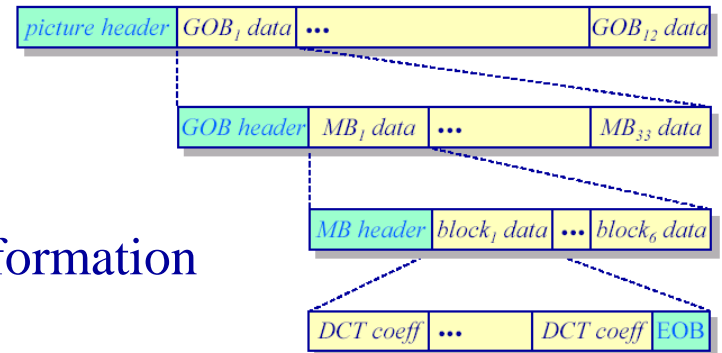


MPEG fundamental blocks

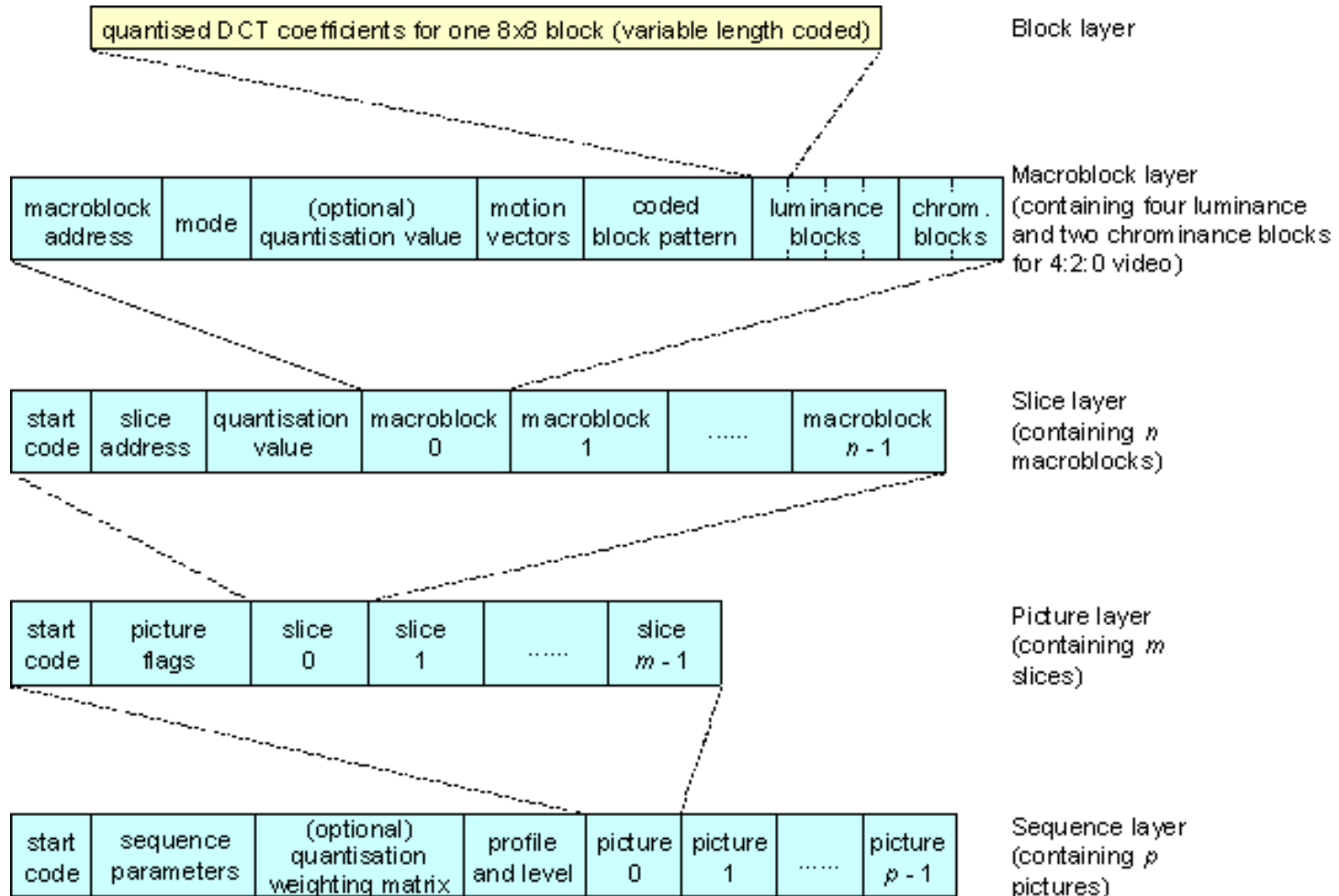


MPEG-2 Stream

- » Sequence Layer
 - * decoding parameters (bit-rate, buffer size, picture resolution, framerate, ...)
- » Group of Pictures Layer
 - * a random access point
- » Picture Layer
 - * picture type and reference picture information
- » Slice Layer
 - * position and state information for decoder resynchronization
- » Macroblock Layer
 - * coded motion vectors
- » Block Layer
 - * coded DCT coefficients, quantizer step size, *etc.*

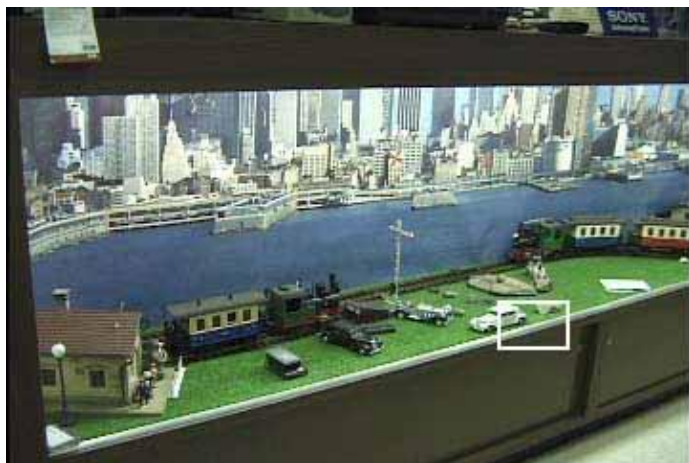


MPEG fundamental blocks



Each picture is divided into m horizontal slices, each comprising n macroblocks. For 4:2:0 video, each macroblock contains four luminance and two chrominance 8x8 blocks of quantised DCT coefficients.

Compression artifacts



MPEG standardization

What about research???

- pre-processing: (or "how to fit a square peg in a round hole?").
- motion estimation (or "how to efficiently find a good prediction.")
- macroblock decision models (efficient, but does it also optimise the ripple effect on subsequent macroblocks ?)
- rate control and buffer management in editing environments
(MPEG: video only exists within a sequence. Real world: decoder is displaying picture from previous sequence, while reconstructing a picture from the new sequence)
- implementation complexity reduction (real time encoding on normal PC hardware).